



Lazer Star Lights • 2734 Danley Court, Paso Robles, CA • 805.226.8200 • lazerstarlights.com

Part Numbers: 77130401 – 77235003 Dominator LED Light Bar Side/Bottom Mount Instructions

GENERAL NOTES:

- * These instructions are also available on our website: lazerstarlights.com. Please check our website before you begin installation for any updated instructions as well as additional photos for your reference.

PARTS LIST:

- * (1) Dominator LED Single or Double Row Light Bar
- * (1-4 *Depending Upon Light Bar Length*) Bottom Mount with Hardware
- * (2) Side Mount with Hardware
- * (1-7 *Depending Upon Light Bar Length*) Smoked Lens Cover Segment
- * (1) Complete Wire Harness

PARTS / TOOLS NEEDED TO COMPLETE INSTALLATION:

- * 13mm Wrench
- * 3mm Allen Wrench (for single row light bars)
- * 5mm Allen Wrench
- * 6mm Allen Wrench (for double row light bars)

APPROXIMATE INSTALL TIME: 10 min – 20 min

BRACKET INSTALLATION:

Bottom Mounting the Light Bar:

1. Install bottom mount(s) onto light bar as shown in Image 1.
 - a. Part A comes pre-installed in the light bar mounting rail.
 - b. Part D is then attached to Part A with the large barrel oriented on either the bottom or top, depending on what you are mounting the light bar to.
 - c. Part B gets positioned outside of Part D, and both Part B & D is secured in place with the two given bolts (Part C).

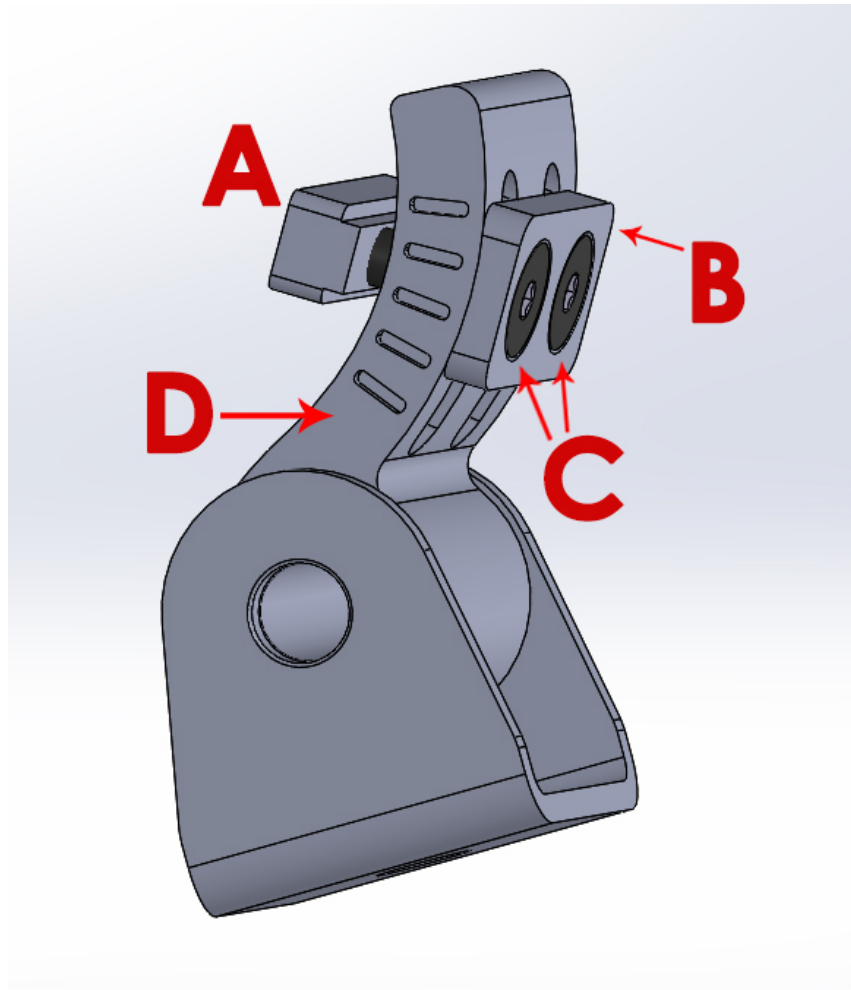


Image 1

2. Secure the barrel of Part D to saddle bracket with given hardware.
3. Position light bar with attached bottom mount(s) and bolt to desired surface/bracket.

Installation of Bottom Mount(s) is Complete

Side Mounting the Light Bar:

1. Install both side mounts onto light bar as shown in Image 2.
 - a. Part A is the knurled washer which needs to be placed in-between the light bar and side mount (Part D).
 - b. Secure Part A & D to light bar with given bolt (Part C) and washers (Part B).
2. Position light bar with attached side mounts and bolt to desired surface/bracket.



Image 2

Installation of Side Mounts is Complete

Use and Care Tips:

- * Keep all wires away from hot or moving parts.
- * Always disconnect the battery when working with wiring.
- * Periodically check connections and bolts to make sure they are tight.